



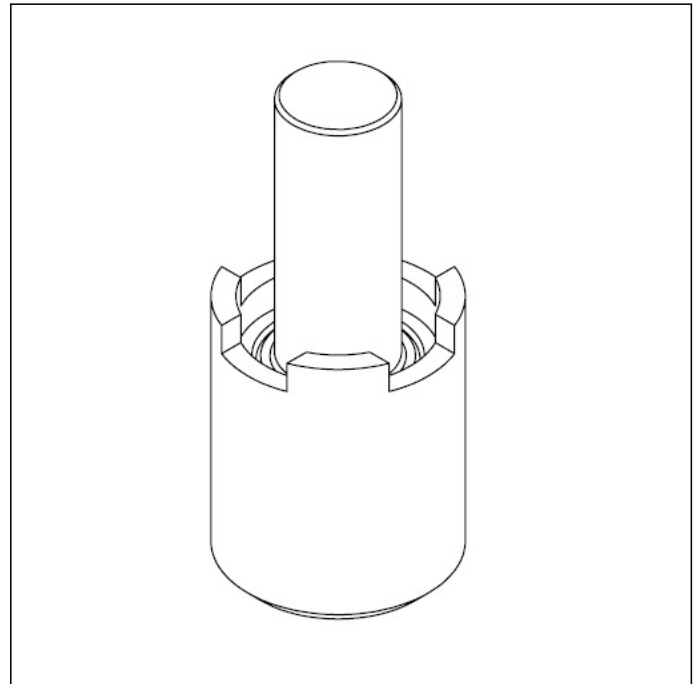
Wrench, M22 SG350A93-3804-00

Datasheet

SG1671
Edition: 2024-03

FAMILY
AS350® H125®
AS355®
EC130® H130®

ATA
63 MAIN ROTOR DRIVE



DESCRIPTION

Wrench, M22 bi-directional suspension bar.
Perfect alignment due to inserted guide pin, anti-slipage protection.

TECHNICAL DATA

Material	Special alloy, hardened steel.
Weight	Kg

SAFETY INSTRUCTIONS

This documentation contains important safety notes and instructions on use about Squirrel's Garage SL special tools. In-proper use of tools and non-observance of these safety notes can lead to personal injury and property damage. Squirrel's Garage SL shall accept no liability whatsoever for damage resulting from improper use.

Completely read, understand and observe the safety notes before use.

Use of Squirrel's Garage special tools is intended only for qualified skilled personnel.

Always use personal protective equipment (e.g. safety glasses, safety shoes, protective gloves, suitable working clothes) necessary to protect you from exposure to potential hazards.

Employers are responsible for the safe condition of tools and equipment used; they must notify supervisors and replace damaged tools. Socket wrenches shall not be used when jaws are sprung to the point that slippage occurs. Keep floor as clean and dry as possible to prevent accidental slips or trips when working with Squirrel's Garage special tools.

LIMITATION OF LIABILITY

Squirrel's Garage Special Tools has no affiliation with the Original Equipment Manufacturer or other manufacturers.

Squirrel's Garage SL shall not be liable for any damages whatsoever, and in particular shall not be liable for any special, indirect, consequential, or incidental damages, or damages for lost of profits, loss of revenue, or loss of use, arising out of or related to this special tool or the information contained in it.

PARTS AND WARRANTY

Squirrel's Garage SL warrants its product to be free from defects in material and workmanship for one year following the date of shipment. Squirrel's Garage SL will repair or replace, free of charge, any product of its manufacture which, at the time it is returned is found to have been defective during the warranty period.

This warranty does not cover damage or liability for misuse, abuse or improper use.

Squirrel's Garage SL assumes no liability for any consequences from the use of this tool.

Use exclusively original spare parts from Squirrel's Garage SL, otherwise the functional reliability of the unit can not be assured and you lose your entitlement under warranty.

Squirrel's Garage Special Tools SL

Calle Llobregat 11-13, 2º 1ª
08635 Sant Esteve Sesrovires
(Barcelona), Spain
Tel 1: +34 657 93 53 91
Tel 2: +34 637 44 75 71
info@sgst.es
www.sgst.es

This document, as well as the data, specifications and other information set forth in it, are the exclusive property of Squirrel's Garage SL. It may not be reproduced or given to third parties without its consent. The data specified above only serve to describe the product. No statements concerning a certain condition or suitability for a certain application can be derived from our information. The information given does not release the user from the obligation of own judgment and verification. It must be remembered that our products are subject to a natural process of wear and aging subject to change.

Data sheet release date: March 3rd, 2024