

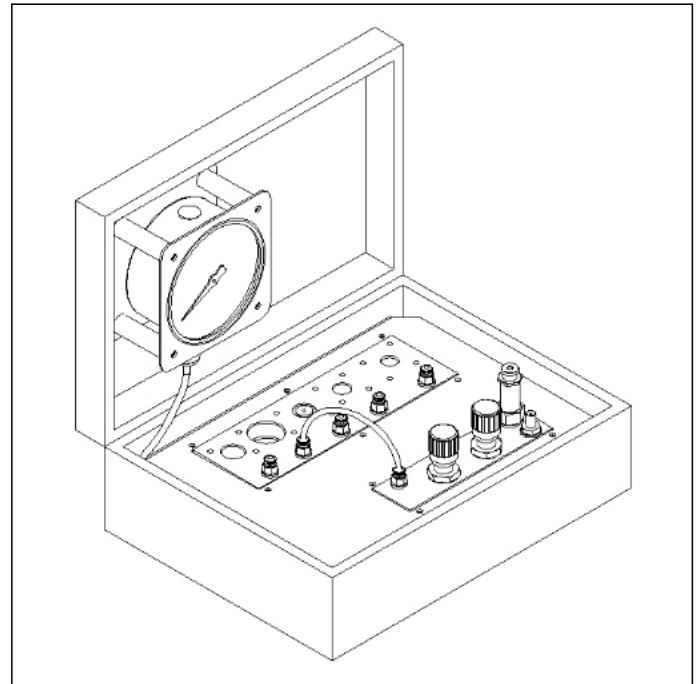


Engine Sensors Test Kit SGBST-02

Datasheet

SG1719
Edition: 2022-05

FAMILY
ARRIUS® 2
ARRIEL® 2B, 2B1
ARRIEL® 2D
ARRIEL® 1



DESCRIPTION

SGBST-02 has been designed to safely test a wide range of Turbomeca Arrius® 2 and Arriel® 2 engines pressure switches and transmitters mainly installed in AS350B3®, EC130®, EC120® and EC135® airframes.





This tool provides smooth and high accurate pressure adjustment upon all ranges. Easy to pack and transport, does not require any hydraulic fluid or electrical supply.

Simple, fast and clean. The pressure gauge is installed in a Minimes adapter, easy to remove and install. SGBST-02 includes pressure gauge calibration certificate and foam cut hard case.

TECHNICAL DATA

Hand Pump press. range	0 to 20 bars
Max Accumulator press.	20 bars
Safety valve adj. range	0-17 bars
Pressure gauge	0-6 bars
Case dimensions	L340 x W300 x H150 (mm)
Material	Black anodized aluminum
Weight	2,5 Kg

FEATURES

-  No hydraulic fluids needed
-  Light and compact tool (hard plastic case is included)
-  High resolution analog pressure gauge
-  Suitable in all engine sensors

SAFETY INSTRUCTIONS

This documentation contains important safety notes and instructions on use about Squirrel's Garage SL special tools. In-proper use of tools and non-observance of these safety notes can lead to personal injury and property damage. Squirrel's Garage SL shall accept no liability whatsoever for damage resulting from improper use.

Completely read, understand and observe the safety notes before use.

Use of Squirrel's Garage special tools is intended only for qualified skilled personnel.

Always use personal protective equipment (e.g. safety glasses, safety shoes, protective gloves, suitable working clothes) necessary to protect you from exposure to potential hazards.

Do not release any cable connections, connections and components as long as the unit is under pressure. Immediately release the block pressure in case of leakage. Identify and remove the reason for leakage.

During operation, keep the Safety Notes and Operation Instructions as well as the technical data. In case of any deviations towards normal operation consult Squirrel's Garage SL technical department.

Before SGBST-02 operation check all the components are undamaged and observe the following points:

Check blocks cleanliness.

Check tightness of all pipes and hoses.

Check proper installation and tightness of sensor bolts, nuts and connections

Operators are responsible for the safe condition of tools and equipment used; they must notify supervisors and replace damaged tools. Socket wrenches shall not be used when jaws are sprung to the point that slippage occurs. Keep floor as clean and dry as possible to prevent accidental slips or trips when working with Squirrel's Garage special tools.

OPERATION

WARNING

SGBST-A includes an ADJUSTABLE SAFETY PRESSURE RELIEF VALVE (6) to avoid any unaware sensor overpressure.
Initial setting of 6 bars.
Read RV01A1B100 valve operation instructions to adjust safety pressure relief valve.

Before start any operation make sure that both regulators (3 and 4) are closed (clockwise direction).

- 1- Use the 4mm blue flexible hose (11) to connect SGBST-A to SGBST-B by pressing manually the tube inside the fitting.
- 2- Install the engine sensor in its housing.
- 3- Connect the air pressure pump (10) or any other air supply on the SGBST-A 'in' port (9) and charge the internal accumulator. Once the accumulator is charged the air pump may be either removed or not.

TO INCREASE PRESSURE Open carefully PRESS regulator (3) until the desired pressure is displayed on the gauge. Once the target pressure is reached close regulator (3).

TO DECREASE PRESSURE Open carefully RELEASE regulator (4) until the desired pressure is displayed on the gauge. Once the target pressure is reached close regulator (4)

4- Perform sensor test.

5- Open regulator (4) to release remaining pressure until gauge indicator reach 0 bars, then open regulator (3) to release remaining pressure on the accumulator side.

6- Unscrew sensor from SGBST-B. Remove the 4mm blue flexible hose by pressing the release button and pull the hose.

SGBST-B SENSORS EFFECTIVITY

Squirrel's Garage Special Tools has no affiliation with the Original Equipment Manufacturer or other manufacturers.

1- TURBOMECA ARRIEL 2

Switch, fuel filter pre-blockage P/N: JA00592A (9550172000)
 Switch, low fuel pressure P/N: 1423-100 (9550171990), P/N: 1423-200 (9550179130)
 Transmitter pressure, P3 P/N: APT190-13BAR-A (9550166140)
 Transmitter oil & fuel pressure P/N: ZRB508-00
 Transmitter oil & fuel pressure & temperature P/N: ZRB566-00

2- TURBOMECA ARRIUS 2

Switch, fuel filter pre-blockage:
 P/N: JA00008B (9550172050)
 P/N: JAO3501C (9550001800)
 P/N: JAO3501D (9550171460)
 P/N: JA00706A (9550172880)
 P/N: JAO3499A (9550001900)

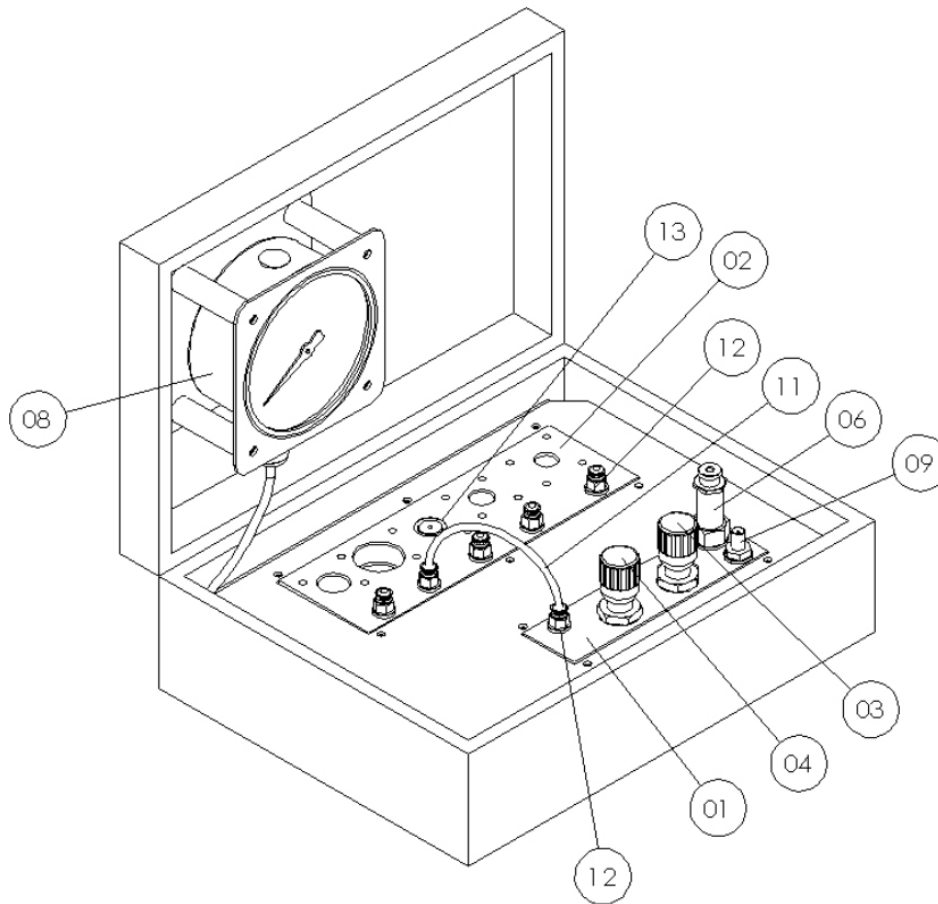
Switch, low fuel pressure:
 P/N: 1423-200 (9550179130)
 P/N: 8576-3 (9550179560)
 P/N: 12927 (9550170280)

3- TURBOMECA ARRIEL 1

Torquemeter Transmitter:
 P/N: 8818925000

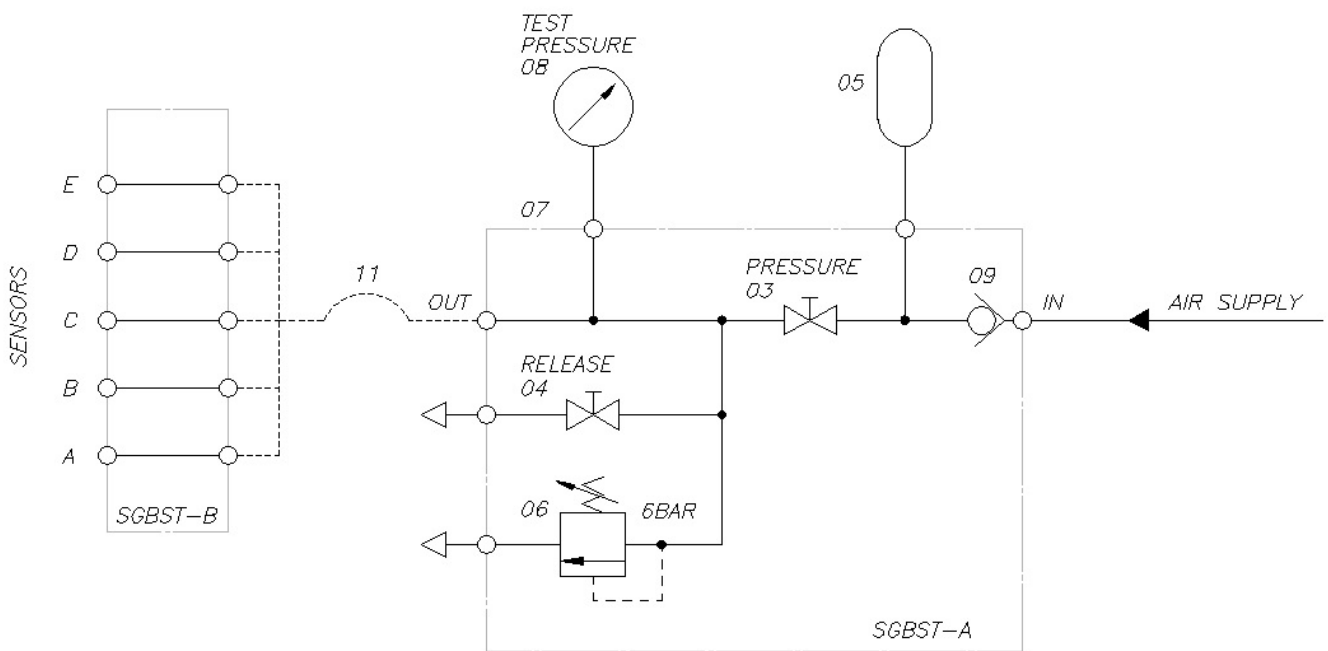
Upon special request SGST can provide the electrical harnesses needed to test any of this sensors.
 For further information about SGBST-02 sensors compatibility in other Turbomeca engine ask to: info@sgst.es

PARTS VIEW



PARTS		
01	SGBST-A Regulating unit	Reparable
02	SGBST-B Sensors manifold	-
03	Pressure valve	-
04	Release valve	-
06	Adjustable safety pressure relief valve	-
08	Pressure gauge	-
09	Input pressure port	-
11	Pressure hose	-
12	Hose plug-in	-
13	P3 O-Ring	-

SYSTEM SCHEMATIC



LIMITATION OF LIABILITY

Squirrel's Garage Special Tools has no affiliation with the Original Equipment Manufacturer or other manufacturers.

Squirrel's Garage SL shall not be liable for any damages whatsoever, and in particular shall not be liable for any special, indirect, consequential, or incidental damages, or damages for lost of profits, loss of revenue, or loss of use, arising out of or related to this special tool or the information contained in it.

PARTS AND WARRANTY

Squirrel's Garage SL warrants its product to be free from defects in material and workmanship for one year following the date of shipment. Squirrel's Garage SL will repair or replace, free of charge, any product of its manufacture which, at the time it is returned is found to have been defective during the warranty period.

This warranty does not cover damage or liability for misuse, abuse or improper use.

Squirrel's Garage SL assumes no liability for any consequences from the use of this tool.

Use exclusively original spare parts from Squirrel's Garage SL, otherwise the functional reliability of the unit can not be assured and you lose your entitlement under warranty.

Squirrel's Garage Special Tools SL

Calle Llobregat 11-13, 2º 1ª
08635 Sant Esteve Sesrovires
(Barcelona), Spain
Tel 1: +34 657 93 53 91
Tel 2: +34 637 44 75 71
info@sgst.es
www.sgst.es

This document, as well as the data, specifications and other information set forth in it, are the exclusive property of Squirrel's Garage SL. It may not be reproduced or given to third parties without its consent. The data specified above only serve to describe the product. No statements concerning a certain condition or suitability for a certain application can be derived from our information. The information given does not release the user from the obligation of own judgment and verification. It must be remembered that our products are subject to a natural process of wear and aging subject to change.

Data sheet release date: May 17th, 2022