



# Tail Rotor accelerometer support SG350A90-07

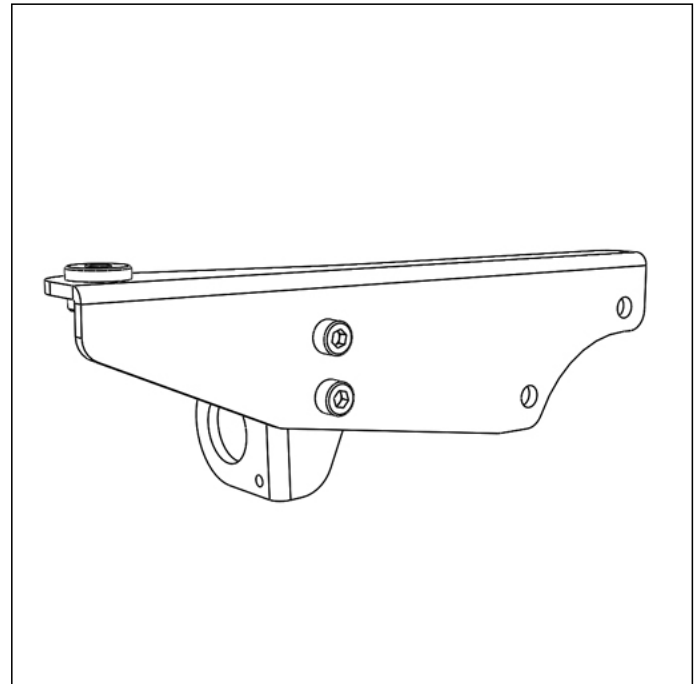
Datasheet

SG1750

Edition: 2022-05

|              |
|--------------|
| FAMILY       |
| AS350® H125® |
| AS355®       |

|               |
|---------------|
| ATA           |
| 64 TAIL ROTOR |



## DESCRIPTION

Bracket, tail rotor accelerometer and photocell.

Tool used for Tail Rotor Balancing.

Suitable for Chadwick and Banner photocells.



Precise setting of photocell pointing, avoid twisting problems on balancing charts.

## TECHNICAL DATA

|          |                 |
|----------|-----------------|
| Material | Stainless Steel |
|----------|-----------------|

|        |        |
|--------|--------|
| Weight | 0,2 Kg |
|--------|--------|

## FEATURES

-  Suitable for Chadwick and Banner photocells.
-  Precise setting of photocell pointing, avoid twisting problems on balancing charts.

#### LIMITATION OF LIABILITY

Squirrel's Garage Special Tools has no affiliation with the Original Equipment Manufacturer or other manufacturers.

Squirrel's Garage SL shall not be liable for any damages whatsoever, and in particular shall not be liable for any special, indirect, consequential, or incidental damages, or damages for lost of profits, loss of revenue, or loss of use, arising out of or related to this special tool or the information contained in it.

#### PARTS AND WARRANTY

Squirrel's Garage SL warrants its product to be free from defects in material and workmanship for one year following the date of shipment. Squirrel's Garage SL will repair or replace, free of charge, any product of its manufacture which, at the time it is returned is found to have been defective during the warranty period.

This warranty does not cover damage or liability for misuse, abuse or improper use.

Squirrel's Garage SL assumes no liability for any consequences from the use of this tool.

Use exclusively original spare parts from Squirrel's Garage SL, otherwise the functional reliability of the unit can not be assured and you lose your entitlement under warranty.

#### Squirrel's Garage Special Tools SL

Calle Llobregat 11-13, 2º 1ª  
08635 Sant Esteve Sesrovires  
(Barcelona), Spain  
Tel 1: +34 657 93 53 91  
Tel 2: +34 637 44 75 71  
info@sgst.es  
www.sgst.es

This document, as well as the data, specifications and other information set forth in it, are the exclusive property of Squirrel's Garage SL. It may not be reproduced or given to third parties without its consent. The data specified above only serve to describe the product. No statements concerning a certain condition or suitability for a certain application can be derived from our information. The information given does not release the user from the obligation of own judgment and verification. It must be remembered that our products are subject to a natural process of wear and aging subject to change.

Data sheet release date: May 17th, 2022